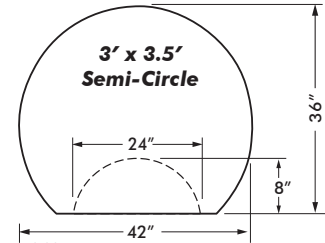




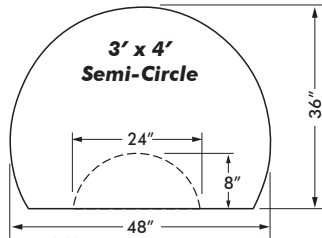
Salon Mat Size Chart

Salon Mats are available in a large variety of sizes, styles and configurations. Custom mats are available as well. See the CUSTOM SIZE SALON MAT form for this. Please select from the following sizes and make sure that the style you want is available in that size. Dash lines indicate the area the foam will be cut out and where the chair base will rest.



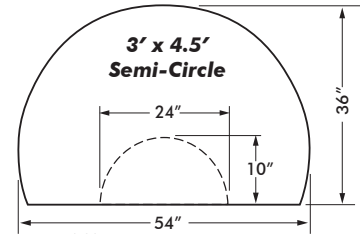
Available in:

- Marbelized



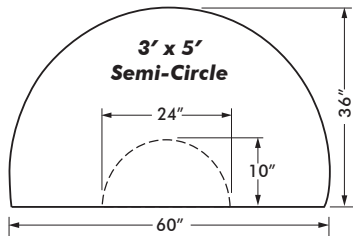
Available in:

- Marbelized
- Diamond Plate
- Wood Look



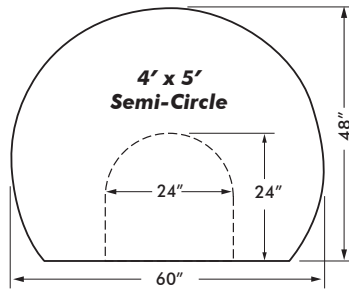
Available in:

- Marbelized



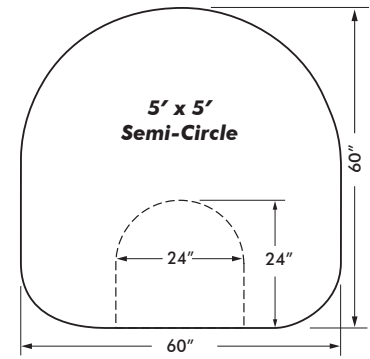
Available in:

- Marbelized
- Diamond Plate
- Wood Look
- Tough Hide



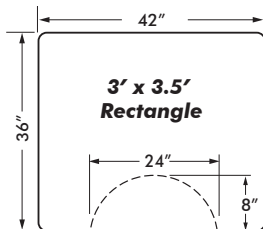
Available in:

- Marbelized
- Diamond Plate
- Wood Look
- Tough Hide



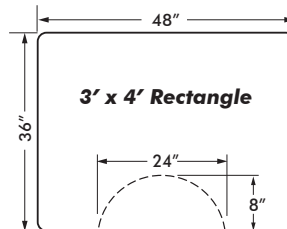
Available in:

- Marbelized
- Diamond Plate



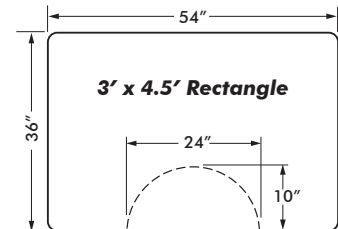
Available in:

- Marbelized



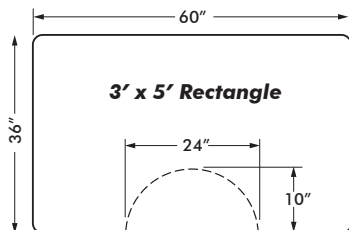
Available in:

- Marbelized
- Diamond Plate
- Wood Look



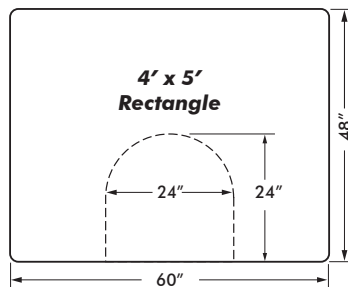
Available in:

- Marbelized



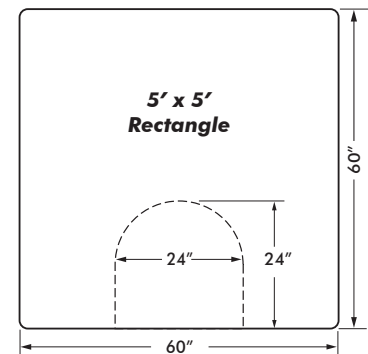
Available in:

- Marbelized
- Diamond Plate
- Wood Look
- Tough Hide



Available in:

- Marbelized
- Diamond Plate
- Wood Look
- Tough Hide



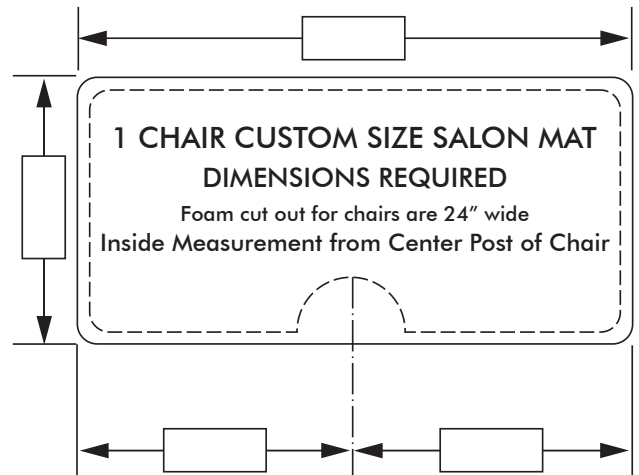
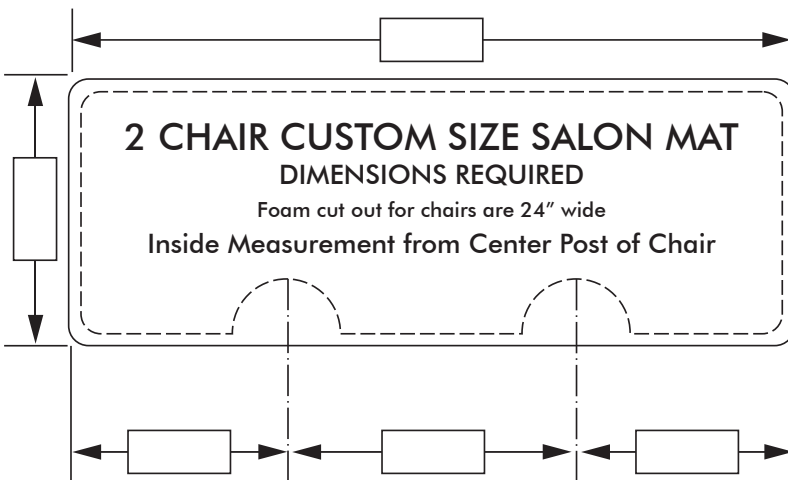
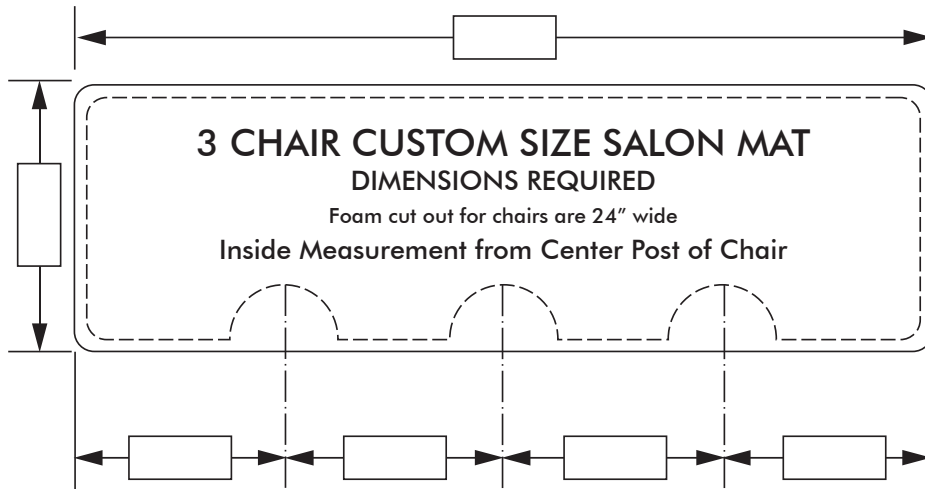
Available in:

- Marbelized
- Diamond Plate

Custom Size Salon Mat

Custom salon mats are available and require accurate measurements to ensure your satisfaction. Please select from the following configurations and provide the measurements where noted. Then simply fax the measurements in along with your order form.

- Available Styles:
- Marbelized- 36", 48", 60" widths available; Up to 75' length
 - Diamond Plate- 36", 48", 60" widths available; Up to 75' length
 - Wood Look- 36", 48" widths available; Up to 75' length
 - Tough Hide- 36", 48" widths available; Up to 75' length



Fax this along with Order Form to:

Fax: 706-937-4425

Fax/ Mail Order Form



- To Order
1. Fax Orders To.....**706-937-4425**
 2. Phone Orders To.....**800-295-3932**
 3. Mail Orders To.....**Direct Mat**
PO Box 1068
Ringgold, GA 30736
 4. E-Mail Orders To.....**directmat@directmat.com**

If you have received a quote from us please enter the Quote # to confirm pricing and information:

Quote # _____

1 Send me the following:

Quantity	Product (ex. Mardi Gras)	Size (Height x Width)	Notes	Color(s)	Each Price	Total Price

2 Please print your name and complete shipping address below if different from billing address, and include phone number.

BILLING ADDRESS: Business Residential

Company _____

Contact _____

Address _____

City _____ ST _____ Zip _____

Ph _____ Fax _____

SHIPPING ADDRESS (NO PO Boxes) Business Residential Same as Above

Company _____

Contact _____

Address _____

City _____ ST _____ Zip _____

Ph _____ Fax _____

Art Charge See Price List	
Misc. Charge ex. Special Edging	
SUBTOTAL	
GA Customer Add 6% tax	
Shipping \$0.75/square foot Call for volume discount	
GRAND TOTAL	

3 Due Date/ Instructions In Hands Date

Please fill in the date you will need your order in hands (if less than 2 weeks call for availability.)

____ / ____ / ____

Note any special instructions.

4 Please fill out credit card information



Method of Payment:
Credit Card Method can be faxed or mailed

Card Number: (Visa, MC, Discover- 16 digits; Amex- 15 digits)

Name (as it appears on card, please print) _____

Expiration Date

____ / ____

Month Year

Validation Code:

(Visa, MC, Discover- 3 digits; Amex- 4 digits)

Most cards have a 3-digit code printed on the back of the card, to the right of the card number. American Express cards have a 4-digit code printed on the front, to the right of the card number.

Company Name (if Corporate Card) _____

Authorizing Signature _____